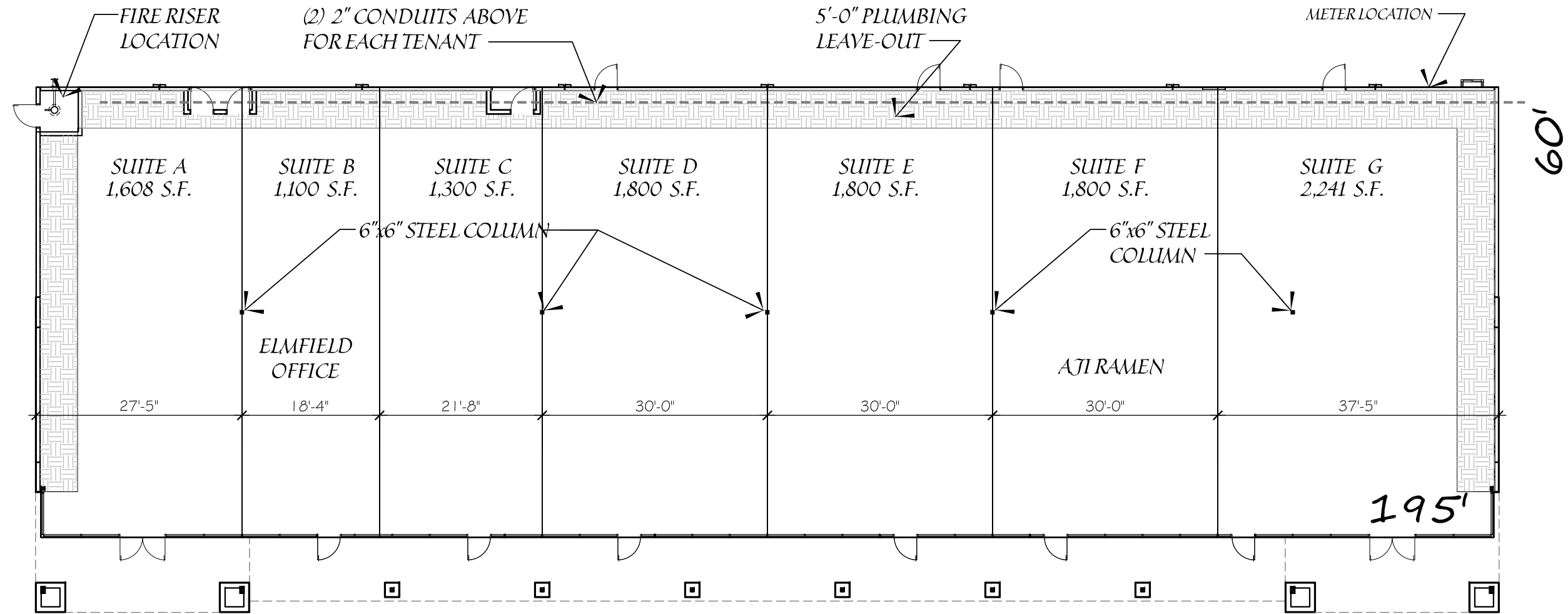


TOTAL SQUARE FOOTAGE = 11,649



DOOR NOTES:

- THE FRONT DOOR CAN MOVE IN 5'-0" INCREMENTS
- THE REAR DOOR CAN MOVE BUT MUST STAY A MINIMUM OF 12" FROM DOWNSPOUTS



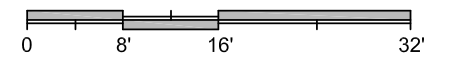
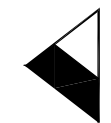
DESIGN
DRAWING
NOT FOR
PERMIT OR
CONSTRUCTION

AUGUSTA WOODS

25640 KUYKENDAHL ROAD
TOMBALL, TEXAS 77375

PARCEL F1

JOB #: 38-17-02
DATE: 08/20/18



WINDLE + VOLPE
ARCHITECTS
165 WINDMILL CREEK DRIVE HOUSTON, TEXAS 77054 PH: 713-955-1590